

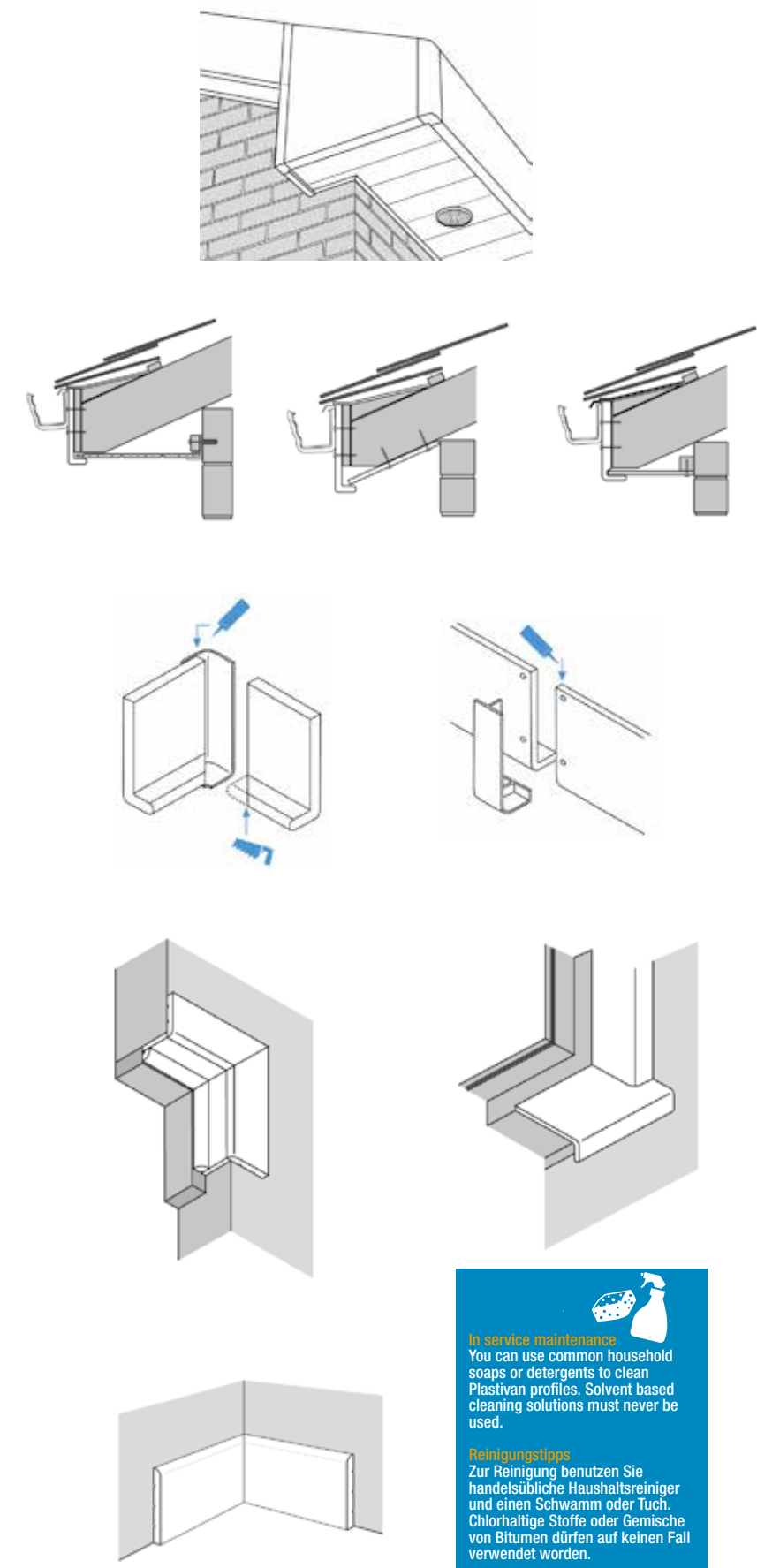
Installation details
Montagehinweis



An integrated maintenance-free solution
Totallösung für eine raffinierte Verarbeitung



Cellular PVC-U extrusions
PVC Hartschaumprofile



In service maintenance
You can use common household soaps or detergents to clean Plestivan profiles. Solvent based cleaning solutions must never be used.

Reinigungsregeln
Zur Reinigung benutzen Sie handelsübliche Haushaltsreiniger und einen Schwamm oder Tuch. Chlorhaltige Stoffe oder Gemische von Bitumen dürfen auf keinen Fall verwendet werden.

- Use a saw with fine-toothed blade to cut/ Leicht sägbar
- PVC glue can be used to fix certain profiles/ Festkleben



made in Belgium

Your distributor/ Ihr Händler

Bellecto eng/dut 09-2018



An integrated maintenance-free solution
Totallösung für eine raffinierte Verarbeitung

Cellular PVC-U extrusions PVC Hartschaumprofile

Finishing profiles and accessories Allgemeines Zubehör für Nut- und Federprofile

Hollow soffit and Trims Nut- und Feder-Hohlprofile

white Weiss
brown Braun
black Schwarz
beige Beige
sand Sand
grey Grau
camel Camel
anthracite Anthrazitgrau
mahogany Mahagoni
golden oak Golden Oak
black ash Esche Schwarz

	code	dimensions/ Abmessungen	packing/ Verpackung
Capping Board Hartschaumwinkel	510 150... 03 - 10 - - - - MH GO BA 150 mm	2 x 5 m	
	510 175... 03 09 10 - - - - MH GO BA 175 mm	2 x 5 m	
	510 200... 03 09 10 CR S 93 94 95 MH GO BA 200 mm	2 x 5 m	
	510 225... 03 09 10 - - - - 95 MH GO BA 225 mm	2 x 5 m	
	510 250... 03 - - CR - - - - - 250 mm	2 x 5 m	
	510 300... 03 09 - CR - - - - MH GO BA 300 mm	2 x 5 m	
	510 400... 03 - - - - - - - - 400 mm	2 x 5 m	
	511 454... 03 - - - - - - - - 454 mm	2 x 5 m	
	512 150... 03 - - - - - - - - 150 mm	2 x 5 m	
	512 175... 03 - - - - - - - - 175 mm	2 x 5 m	
512 200... 03 - - - - - - - - 200 mm	2 x 5 m		
Replacement Fascia Hartschaumwinkel	515 150... 03 - - - - - - - - 150 mm	2 x 5 m	
	515 175... 03 - - - - - - - - 175 mm	2 x 5 m	
	515 200... 03 - - - - - - - - 200 mm	2 x 5 m	
	515 225... 03 - - - - - - - - 225 mm	2 x 5 m	
	515 250... 03 - - - - - - - - 250 mm	2 x 5 m	
	516 404... 03 - - - - - - - - 404 mm	2 x 5 m	
Ogee Capping Board Dekorativer Hartschaumwinkel	525 150... 03 - - - - - - - - 150 mm	2 x 5 m	
	525 175... 03 - - - - - - - - 175 mm	2 x 5 m	
	525 200... 03 - - - - - - - - 200 mm	2 x 5 m	
	525 225... 03 - - - - - - - - 225 mm	2 x 5 m	
	525 250... 03 - - - - - - - - 250 mm	2 x 5 m	
	526 404... 03 - - - - - - - - 404 mm	2 x 5 m	
Rounded Capping Board Hartschaumwinkel	517 150... 03 - - - - - - - - 150 mm	2 x 5 m	
	517 175... 03 - - - - - - - - 175 mm	2 x 5 m	
	517 200... 03 - - - - - - - - 200 mm	2 x 5 m	
	517 225... 03 - - - - - - - - 225 mm	2 x 5 m	
	517 250... 03 - - - - - - - - 250 mm	2 x 5 m	
	518 404... 03 - - - - - - - - 404 mm	2 x 5 m	
Multi-purpose Board Flache Platte	521 100... 03 - - - - - - - - 100 mm	2 x 5 m	
	521 150... 03 - - - - - - - - 150 mm	2 x 5 m	
	521 200... 03 - - - - - - - - 200 mm	2 x 5 m	
	521 225... 03 - - - - - - - - 225 mm	2 x 5 m	
	521 250... 03 - - - - - - - - 250 mm	2 x 5 m	
	521 300... 03 - - - - - - - - 300 mm	2 x 5 m	
	522 404... 03 - - - - - - - - 404 mm	2 x 5 m	
Architraves Sockel	541 040... 03 - - - - - - - - 40 mm	10 x 5 m-10 x 2,5m	
	541 065... 03 - - - - - - - - 65 mm	10 x 5 m-10 x 2,5m	
	541 090... 03 - - - - - - - - 90 mm	10 x 5 m-10 x 2,5m	
Quadrant Quadrant	542 019... 03 - - - - - - - - 19 mm	20 x 5 m-20 x 2,5 m	
D-section D-Profil	543 028... 03 - - - - - - - - 28 mm	20 x 5 m-20 x 2,5 m	
Edge Filet Rahmen	545 020... 03 - - - - - - - - 20 mm	25 x 5 m-25 x 2,5 m	



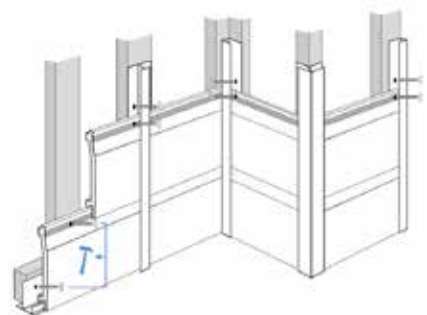
white Weiss
brown Braun
black Schwarz
beige Beige
sand Sand
grey Grau
camel Camel
anthracite Anthrazitgrau
mahogany Mahagoni
golden oak Golden Oak
black ash Esche Schwarz

	code	dimensions/ Abmessungen	packing/ Verpackung
Corners/Joiner for Capping Board Verbindungsstück	510 BT... 03 09 10 CR S 93 94 95 - - - 300 mm	10 pieces / Stück	
	- - - - - MH GO BA 300 mm	5 pieces / Stück	
	510 BN... 03 09 10 CR S 93 94 95 - - - 300 mm	10 pieces / Stück	
	510 VB... 03 09 10 CR S 93 94 95 - - - 300 mm	10 pieces / Stück	
Corners/Joiner for Ogee Capping Board Ecken/Verbindung	525 BT... 03 - - - - - - - - 300 mm	10 pieces / Stück	
	525 BN... 03 - - - - - - - - 300 mm	10 pieces / Stück	
	525 VB... 03 - - - - - - - - 300 mm	10 pieces / Stück	
Corners/Joiner for Rounded Capping Board Ecken/Verbindung	517 BT... 03 - - - - - - - - 300 mm	10 pieces / Stück	
	517 BN... 03 - - - - - - - - 300 mm	10 pieces / Stück	
	517 VB... 03 - - - - - - - - 300 mm	10 pieces / Stück	
End Cap Abdeckhaube	510 ECL... 03 - - - - - - - - 50 mm	25 pieces / Stück	
	510 ECR... 03 - - - - - - - - 50 mm	25 pieces / Stück	
End Cap Abdeckstreifen	510 ES... 03 - - - - - - - - 300 mm	25 pieces / Stück	
End Cap Abdeckstreifen	510 SLL... 03 09 - - - - - - - - 200 mm	25 pieces / Stück	
	510 SLR... 03 09 - - - - - - - - 200 mm	25 pieces / Stück	

Cladding and Trims Nut- und Federprofile

	code	dimensions/ Abmessungen	packing/ Verpackung
Shiplap Cladding Nut- und Federprofil	523 150... 03 - - - - - - - - 150 mm	5 x 5 m	
Universal Channel Randprofil	524 100... 03 - - - - - - - - 18 mm	10 x 5 m	
Starter Trim Start-Profil	524 200... 03 - - - - - - - - 18 mm	10 x 5 m	
Centre Trim Verbindungsprofil	524 300... 03 - - - - - - - - 18 mm	5 x 5 m	
External Corner Außenecke	524 400... 03 - - - - - - - - 18 mm	5 x 5 m	

Use conventional carpentry tools/ Montieren mit einem Hammer



creamy white
white
brown Braun
fondant
black Schwarz
white grey
cream
sand Sand
grey Grau
camel Camel
anthracite Anthrazitgrau
mahogany Mahagoni
golden oak Golden Oak
black ash Esche Schwarz

	code	dimensions/ Abmessungen	packing/ Verpackung
Start and Edge Trim Start-Profil	09... 03 09 - 10 - - - - MH GO BA 22 mm	20 x 5 m	
	- - - 09F - - CR S 93 - - - - 22 mm	20 x 6 m	
Joiner Trim H-Profil	10... 03 09 - 10 - - - - MH GO - 28 mm	20 x 5 m	
	- - - - - CR S 93 - - - - 28 mm	20 x 6 m	
Flexi Angle Faltpbares Eckprofil	17... 03 09 - - - - - - - - 70 mm	20 x 6 m	
F-sections F-Profil	6... 03 - - - - - - - - 32 mm	20 x 6 m	
	20... 03 - - - - - - - - 62 mm	20 x 6 m	
	27... 03 - - - - - - - - 77 mm	20 x 6 m	
Angles Ecken	110... 03 - - - - - - - - 150 mm		
	115... 03 - - - - - - - - 175 mm		
	120... 03 - - - - - - - - 200 mm		
	125... 03 - - - - - - - - 225 mm		
	130... 03 - - - - - - - - 250 mm		
	135... 03 - - - - - - - - 404 mm		
140... 03 - - - - - - - - 404 mm			
150... 03 - - - - - - - - 150 mm			
Ventilation profile Lüftungsprofil	63... 03 - - - - - - 95 - - - 80 mm	5 x 5 m	
Ventilation grid Lüftungsgitter	64... 03 - - 10 - - S - - - GO - 80 mm	10 pieces / Stück	
Hollow soffit Nut- und Federprofil	56... 01 03 - - - 11 - - - - 100 mm	10 x 6 m	
Hollow soffit Nut- und Federprofil	26... 01 03 - - - - - - - - 250 mm	6 x 6 m	
Hollow soffit Nut- und Federprofil	33... 01 03 - - - 11 CR S 93 - 95 - - - 250 mm	6 x 6 m	
Hollow soffit Nut- und Federprofil	45... 01 03 09 10 11 - - - - 95 MH GO BA 300 mm	4 x 5 m	
Hollow soffit Nut- und Federprofil	44... 03 - - - - - - - - 400 mm	4 x 5 m	
Angle Ecke	46... 03 - - - - - - - - 100 x 80 mm	5 x 5 m	
Fascia profile plane Flachprofil	57... 03 - - - 11 - - - - - - 150 mm	6 x 6 m	
Fascia profile plane Flachprofil	58... 03 - - - 11 - - - - - - 200 mm	6 x 6 m	
Polytop Nails Nägeln	544 30... 03 09 - - - - - - - - GO - 30 mm	250 pieces / Stück	
	544 40... 03 09 - 10 - CR S 93 94 95 - - GO - 40 mm	250 pieces / Stück	
	544 50... 03 09 - - - - - - - - GO - 50 mm	100 pieces / Stück	
	544 65... 03 - - - - - - - - 65 mm	100 pieces / Stück	