

ATG technical approval with certification



ATG 2834

FACADE SYSTEMS – GENERAL INFORMATION

DURASID®ORIGINAL RIGID PVC FOAM CLADDING

Valid from 18/10/2023
until 17/10/2028

Approval and certification body



Cantersteen 47 – 1000 Brussels
www.bcca.be – mail@bcca.be

Approval holder:

Plastivan nv
Wantestraat 3
8780-Oostrozebeke
Tel.: +32 (0)56 66 75 51

Website: www.plastivan.com
E-mail: info@plastivan.com



1 Objective and scope of the technical approval

This technical approval is based on the independent favourable evaluation of the system (as described above) by an independent approval body designated by UBAtc, BCCA, for the application mentioned in this technical approval.

The technical approval serves as a record of the approval inspection. This inspection consists of the following: identification of relevant properties of the system for the intended application, laying/installation method, system design and reliability of production.

The technical approval provides a high level of reliability, based on the statistical interpretation of inspection results, regular monitoring, adjustments in order to keep abreast of the latest technical developments and quality monitoring by the approval holder.

In order to retain the technical approval, the approval holder must continuously provide evidence that he is taking all necessary steps to demonstrate that the system is suitable for use. In order to do so, it is vital that the conformity of the system with the technical approval is monitored. This monitoring is entrusted by the UBAtc to an independent certification body known as BCCA.

The approval holder is required to adhere to the inspection results described in the technical approval if they make information available to third parties. The UBAtc or certification body may take any steps that become appropriate if the approval holder [or the distributor] fails to do so (to a sufficient extent) of his own accord.

The technical approval and certification for conformity of the system to the technical approval are independent of tasks conducted individually. The contractor and/or architect remain fully responsible for the conformity of the completed work with the provisions contained in the specifications.

The technical approval is not concerned, except in specifically included provisions, with on-site safety, health aspects and the sustainable use of raw materials. As a result, the UBAtc shall not be responsible, under any circumstances, for any damage caused by the failure of the approval holder, contractor(s) and/or architect to respect provisions relating to on-site safety, health aspects and the sustainable use of raw materials.

Note: in this technical approval, the word "contractor" will always be used, when referring to the entity that completes the work. This word has the same meaning as other frequently used words, such as "operator", "installer" and "fitter".

2 Object

Technical approval for cladding systems with PVC panels requires technical specifications of cladding systems made from the components mentioned in paragraph 3. Facade cladding systems made using this system are expected to achieve the results indicated in paragraph 5 for the indicated types and dimensions, provided they are assembled in compliance with the requirements listed in paragraph 4, fitted in compliance with the requirements listed in paragraph 6 and maintained according to the requirements listed in paragraph 5.7.

For cladding systems that are subject to additional requirements in terms of performance or fitted under conditions, for which the highest performance levels are recommended, it is necessary to conduct additional tests.

The approval holder can only refer to this approval for variants of the cladding system, if it can be effectively demonstrated that the specification complies fully with the classification included in the approval.

The approval document, together with the certificate confirming that the components are in compliance with the approval document, shall apply, regardless of the quality of the individual cladding systems. The manufacturer and architect remain fully responsible for the conformity of the preparation with the provisions contained in the specifications.

3 Description

The Durasid® Original system is a comprehensive cladding solution for gable peaks and façades (cladding profiles), which is complemented by finish profiles and injected components that are available in different colours. Durasid® Original cladding consists of coextruded rigid cellular foam panel and finish profiles. The rigid layer is made from a hard polymer, which exists in 2 variations and is sometimes covered with a finish coating. It is fitted by slotting the tongued side into the grooved side on extruded panels. The Durasid® Original solution is a ventilated façade cladding system.

3.1 Cladding profiles

The Durasid® Original product range includes cladding panels and the associated finish profiles, which are always available in the same colour. The range is available in different colours (Table 1) with a relief wood appearance.

Table 1 – Available colours

Colour code	Name
90	White
91	Cream
92	Sand
93	Grey
94	Camel
95	Anthracite grey
96	Quartz grey
99	Grey blue

The start profile is attached below the wooden battens and this creates a solid basic structure for the lower Durasid® Original panel. The edge finish profiles consist of 2 parts and have the dual function of finishing both the vertical edge (simple wall cladding) and the upper face. The corner profile consisting of 2 parts is a conventional finish profile for internal and external corners on 2 covered façades. The connecting part is an injected component, which enables the panels to be fitted in longitudinal direction.

3.1.1 Dimensions and specific weight

Cf. NBN EN ISO 1183-1.

3.1.1.1 Cladding profiles

The cladding panels (see Fig. 1) are 5 m long and available in the following thicknesses: 7 mm ± 0.5 mm for the embossed section. Table 2 lists, according to type, the cladding panel characteristics.

- Mass tolerance: ± 5 %;
- Panel height tolerance: +0 / -2 mm;
- Panel length tolerance: ± 2 mm/m Panel;
- Panel thickness tolerance: ± 0.5 mm;
- Tolerance on density: ± 0,06 kg/dm³.

The panels are perfectly straight with no defects visible to the naked eye.

The following internal criteria are respected in terms of straightness and flatness:

- Straightness in the longitudinal direction of the panel is checked by placing two panel-components measuring 1 m (cut from the same cladding profile) on top of each other (see Fig. 2): the gap width must never be greater than 3 mm.
- The flatness of the cladding panel is checked by placing the panel in an aluminium mould: the gap between the panel and mould must never be greater than 1 mm.
- The squareness of the saw cuts is checked using a set square: the deviation between the set square edge and the saw cut must never exceed 3 mm (see Fig. 3).

3.1.1.2 Finish profiles

Finish profiles are available in plastic (Figure 4) and aluminium (Figure 5). They are available in 3 m lengths. Plastic profiles are available in colours 90 – 95 and aluminium profiles are available in colours 91 - 99. Start profiles (524200) and ventilation profiles (524250) are available in black. Table 3 and Table 4 show the characteristics of plastic and aluminium finish profiles, respectively.

Mass tolerance per length unit for plastic profiles: ± 5 %.

Mass tolerance per length unit for aluminium profiles: see NBN EN 12020-2.

3.1.1.3 Injected components

Injected components (see Fig. 6) are available with the same working height as the corresponding cladding profiles and are 2 mm thick. Table 5 lists, according to type, the characteristics of injected components.

Mass tolerance per length unit: ± 5 %.

3.1.2 Physical and mechanical properties

3.1.2.1 Cladding panels

The cladding panels are extruded from 6.4 mm rigid PVC-UE foam with a 0.6 mm coextruded polymer layer. The characteristics are described in Table 6.

3.1.2.2 Finish profiles and injected components

The finish profiles and injected components are made from pure PVC materials, whose properties are listed in Tables 7 and 8. The coex layer depends on the colour.

3.1.2.3 Colorimetric properties

The colorimetric properties of cladding profiles without a relief structure according to the CIELAB method are described in Table 9.

- Tolerance on colorimetry L: ± 0.5
- Tolerance on colorimetry a: ± 0.4
- Tolerance on colorimetry b: ± 0.6
- Tolerance on ΔE : ≤ 1

3.2 Other associated materials

Wooden battens are treated according to STS 31 "Carpentry". $\varnothing 4 \times 25$ mm stainless steel screws are used to secure PVC profiles.

Table 2 – Cladding profile properties

Reference	Profile height	Quantity per m (height)	Fitting direction	Density per length unit of panels in colours 90-94	Density per m ² of cladding without fastening in colours 90-94	Density per length unit of panels in colours 95-96-99	Density per m ² of cladding without fastening in colours 95-96-99
	[mm]			[g/m]	[kg/m ²]	[g/m]	[kg/m ²]
523333	333	3	Horizontal	1450	4.35	1330	3.99
523167	167.5	6	Horizontal	770	4.62	715	4.29
524167	167.5	6	Horizontal/Vertical	780	4.68	725	4.35

Table 3 – Finish profile properties (in plastic)

Reference	Use	Density per length unit of profiles in colours 90-94	Density per length unit of profiles in colours 90-94
		[g/m]	[g/m]
524450	Internal corner + external corner (2 parts)	530	530
524150	Edge profile (2 parts)	400	400
524200	Start profile	156	156
524300	Junction profile (H profile)	243	243
524500	Angle profile (L profile)	508	508
524250	Ventilation profile	125.99	125.99

Table 4 – Finish profile properties (in aluminium)

Reference	Use	Density per length unit of profiles in colours 91-99
		[g/m]
524460	Internal angle + external angle (2 parts)	1040
524160	Edge profile (2 parts)	850
524560	Angle profile (L profile)	1060

Table 5 – Properties of the injected components

References	Description	Used on cladding panel	Density per profile component in colours 90-94	Density per profile component in colours 95-96-99
			[g/pc]	[g/pc]
524350	Double junction component	523333	66.37	59.65
524351	Concealed double junction component		21.38	21.00
524360	Single junction component	523167	29.48	29.69
524361	Concealed single junction component		9.16	9.14
524362	Concealed junction component	524167	10.41	9.84

Table 6 – Physical and mechanical properties of the cladding panel

Characteristics	Unit	Standard	Nominal values for profiles in colours 90-94	Nominal values for profiles in colours 95-96-99
Apparent bulk density	g/cm ³	NBN EN ISO 1183-1	0.526 ± 60	496 ± 60
Vicat	°C	NBN EN ISO 306/B	48.0 ± 3.9	45.8 ± 11.0
Ash content at 1000°C	%	NBN EN ISO 3451- 5A	13.1 ± 0.7	8.7 ± 1.4
Tensile strength	MPa	NBN EN ISO 527-3	12.1 ± 0.8	11.9 ± 0.4
Rupture elongation	%	NBN EN ISO 527-3	42.0 ± 6.3	42.0 ± 9.4
Flexural modulus	MPa	NBN EN ISO 178A	1306 ± 121	1038 ± 112
Tensile strength at 22 °C	kJ/m ²	NBN EN ISO 8256-5	44.3 ± 7.0	42.4 ± 7.2
Linear expansion coefficient	mm/m/°C	ASTM D696-03	5.11 . 10 ⁻⁵ ±	5.56 . 10 ⁻⁵ ±
Length variation due to internal tensions at 100 °C	%	NBN EN 479	<7.6	<7.6
DHC – stabilisation time	min	NBN EN ISO 182-3	31.5 ± 1.8	36.8 ± 6.8
DHC – induction time	min	NBN EN ISO 182-3	27.9 ± 1.5	31.0 ± 4.6

Table 7 – Physical and mechanical properties of the finish profile in 2 parts 524150

Characteristics	Unit	Standards	Nominal values for profiles in colours 90-94	Nominal values for profiles in colours 95
Vicat	°C	NBN EN ISO 306/B	74.7	80.1
Ash content	%	NBN EN ISO 3451-5A	12.6	0.9
Tensile strength	MPa	NBN EN ISO 527-2	46.5	38.2
Rupture elongation	%	NBN EN ISO 527-2	120	69
Elasticity modulus	MPa	NBN EN ISO 178	3457	1956
DHC 200°C	min	NBN EN ISO 182-3	59.2	/

Table 8 – Physical and mechanical properties of the internal and external corner profile 524450

Characteristics	Unit	Standards	Nominal values for profiles in colours 90-94	Nominal values for profiles in colours 95
Vicat	°C	NBN EN ISO 306/B	77.0	74.8
Ash content	%	NBN EN ISO 3451-5A	20.1	17.8
Tensile strength	MPa	NBN EN ISO 527-2	37.8	41.3
Rupture elongation	%	NBN EN ISO 527-2	46	142
Elasticity modulus	MPa	NBN EN ISO 178	4001	4008
DHC 200°C	min	NBN EN ISO 182-3	54.1	53.4

Table 9 – Colorimetric properties

Profile colour	Code	Standards	Nominal value		
			L	a	b
White (RAL 9010)	90	ISO 7724-3	95.25	-1.15	4.5
Cream (RAL 9001)	91	ISO 7724-3	90.8	0.3	6.5
Sand (RAL 1015)	92	ISO 7724-3	87.5	1.5	15
Grey (RAL 7035)	93	ISO 7724-3	80.5	-1.5	1.5
Camel (*)	94	ISO 7724-3	71.0	2.3	13.0
Anthracite grey (RAL 7016)	95	ISO 7724-3	30.23	-0.71	-2.90
Quartz grey (RAL 7039)	96	ISO 7724-3	49.0	-0.10	2.50
Grey blue (RAL 7035)	99	ISO 7724-3	45.9	-2.2	-5.80

(*): No approximate RAL number

4 Manufacture

4.1 Manufacture and distribution of cladding profiles

At its two Belgian production sites at Oostrozebeke (Wantestraat 3) and Ingelmunster (Meulebekestraat 141), Plastivan n.v. has 36 extrusion lines with single and double screw extruders.

Plastivan nv extrudes cladding and finish profiles. The profiles are subject to continuous quality control, in order to guarantee consistent quality.

PVC-UE foam powder for rigid cellular foam profiles is made at our own compounding plant. This compound is coextruded with ORM¹ based on a weight ratio of 90-10.

PVC compound granules for the coextruded cladding layer, finish profiles and injected components are supplied by Benvic or Ineos, both of which are ISO 9001:2000 certified suppliers. The products are subject, both on delivery and during the extrusion/coextrusion process, to an internal control process focusing on various properties, which are continuously compared to the required theoretical values.

The compounds are checked upon entry by means of a visual inspection, which involves collecting a sample from each batch supplied in order to check its tightness and certificate of conformity against the properties specified in Table 10 – Table 11 - Table 12.

Table 10 – Properties of the dry blend used for rigid PVC-UE foam

Property	Unit	Test method	Nominal value	Tolerance
Vicat	°C	NBN EN ISO 306-B (50)	npd	/
Ash content	%	NBN EN ISO 3451-5A	11.1	± 7 % relative
Bulk density	kg/m ³	NBN EN ISO 1183-1	0.45	± 0,05

Table 11 – Properties of the compound used for the coextruded upper layer, finish profiles and injected components in colours 90-94

Property	Unit	Test method	Nominal values					Tolerance
			White 90	Cream 91	Sand 92	Grey 93	Camel 94	
Vicat	°C	NBN EN ISO 306-B (50)	78	77.5	78	78	78	±2 °C
Ash content	%	NBN EN ISO 3451-5A	11.8	12.77	12.4	11.8	12.4	± 7 % relative
Density	kg/m ³	NBN EN ISO 1183-1A	1.5	1.5	1.51	1.5	1.51	± 0.02
DHC 200°C	min	NBN EN ISO 182-2	52	48	52	52	52	± 15%

Table 12 – Properties of the compound used for the coextruded upper layer, finish profiles and injected components in colours 95-96-99

Property	Unit	Test method	Nominal values			Tolerance
			Anthracite grey 95	Quartz grey 96	Grey blue 99	
Vicat	°C	NBN EN ISO 306-B (50)	90	90	90	> 85
Ash content	%	NBN EN ISO 3451-5A	1.5	1.4	1.2	± 7 % relative
Density	kg/m ³	NBN EN ISO 1183-1A	1,07	1,07	1,07	± 0.02

¹ ORM: "own reprocessed material"

Production control of the panels in terms of length and weight/m (see Table 2), colour (see Table 8), brilliance, flatness and squareness of the edges (see Chapter 3.1.1)

Visual inspection of the assembly of the panels, any damage or air bubbles.

In Belgium, Plastivan nv manufactures and distributes these products to the specialist customers (construction companies, timber companies and wholesale outlets specialising in synthetic materials) and DIY stores.

Injected components are produced by different manufacturers for the Plastivan nv company.

Other accessories (wooden battens, screws, etc.) are available on the market.

4.2 TRANSPORT, STORAGE AND MAINTENANCE

4.2.1 Transport requirements

All panels and accessories are supplied in a PE film tubular sheath secured with adhesive (packaged individually or grouped together according to the panel type), which effectively protects the panel against soiling and slight damage to the surface. These packages are stacked in specially designed containers or wooden crates, which can be handled using a forklift truck. Once removed from the containers, Durasid®Original panels must be loaded and unloaded manually, in order to avoid any damage. The entire length of the panels (5m) must be handled by at least 2 persons.

4.2.2 Storage requirements

The panels (in their protective film) must be stored indoors on a level horizontal surface, with a maximum storage height of 75 - 90 cm (see container height). If they are stored on shelves, the distance between the horizontal supports must not exceed 50 cm.

4.2.3 On-site adjustments

All components in the Durasid®Original range can be very easily adjusted using conventional woodworking tools for the purpose of sawing, drilling and filing. If profiles are adjusted or corrected for assembly (sawing, sanding and drilling) using electrical tools, it is advisable to wear protective glasses and an anti-dust mask, in order to protect against dust when sanding PVC.

4.2.4 Maintenance

Maintenance of these cladding components is limited cleaning the panels with a damp sponge or soft cloth with water and non-abrasive maintenance products. The use of aggressive detergents is highly inadvisable, as well as the use of paint products that may have a negative effect on the impact resistance of the profiles.

For the purpose of repairs, a damaged profile cladding can only be replaced by using the visible fastening with Polytop nails.

5 Fitting

5.1 General principle when fitting the cladding system

The actual building structure must be stable. Durasid® Original cladding does not influence the stability of the building.

The Durasid®Original system can be fitted either horizontally or vertically. It must be noted that:

- Air and vapour tightness must be guaranteed by the wall and not (only) by the cladding;
- Underlying components, such as insulation materials must be protected against any infiltration of water;
- The cladding must be ventilated.

Wooden battens are used as a base for Durasid®Original panels. The battens must have the minimum dimensions of 24 x 30 mm. They are attached at right angles to the wall in longitudinal direction on the cladding panels with a maximum gap of 500 mm for colours 90-93 and maximum gap of 300 mm for colours 94-99. In order to facilitate the start of fitting, it is important that the outer batten is always fitted so that it is level and ± 50 mm from the edge of the wall needing to be cladded.

The start profile (ref. 524200) is first attached to the battens and provides a base for the Durasid®Original panel.

Several options are possible for edge finishes (see Drawing 6): an edge profile in two parts (ref. 524150 or 524160) is used at the end of the cladding, if it is not necessary to create an angle. The upper finishes are also added, in all cases, with this edge profile consisting of two parts. This profile is fitted before the last Durasid®Original panel.

An angle profile consisting of two parts (ref. 524450 or 524460) connects and finishes the two cladded walls. The angle profile makes it possible to finish the internal corner, as well as an external corner. The procedure is always the same: the base profile with two components is fitted and, once the Durasid®Original panels have been fitted, the finish profile is clipped onto the whole thing. It is always necessary to allow an expansion joint of 1 mm / m in the finish profile, on each side of the panel. The Durasid®Original panel is always positioned according to the tongue/groove principle and secured using a screw (minimum diameter: 4 x 25 mm) in the groove and for each batten (every 50 cm). Two Durasid®Original panels are fitted in longitudinal direction using the junction component (ref. 524350, 524351, 524360, 524361 or 524362 depending on the panel).

It is possible to fit 2 panels using an H profile for colours 90 – 95.

Special finishes, such as window frames, door finishes and simple façades can be added using a special corner profile measuring 100 mm x 50 mm (ref. 524500) or an aluminium angle profile measuring 150 mm x 150 mm (ref. 524560).

If the modular dimensions of the Durasid®Original panel are not suitable, it can be sawn vertically to the desired measurements and fitted using a wooden batten that has been sawn through its entire thickness.

The detailed fitting instructions can be consulted via the following link: <https://www.durasid.com>

5.2 On-site use

It is very easy to machine all components from the Durasid®Original range using conventional woodworking tools for sawing, drilling and filing. During the machining and adjustment of panels for installation (sawing, grinding and drilling) using electrical tools, it is advisable to wear protective glasses and an anti-dust mask in order to protect against dust when sanding PVC.

Façade components are supplied in the standard length of 5 m. If required, the different panels can be cut to the desired measurements on-site.

5.3 Ventilation

The suspension profile section with the corresponding suspended structure is selected so that an air gap of 20 mm is maintained behind the cladding panels. Any insulation is placed between the vertical support structure. In order to create a cavity with stagnant air, the façade edges must be finished with the corresponding edge profiles (Figure 7: Possible finishes).

6 Fundamental requirements

The cladding system is fitted to vertical or horizontal supporting structures made from wood on concrete, brickwork, steel structures or any other closed wall that is sufficiently stable. The supporting structure may be new or already in use, blind or with bays, on an upper storey or on the ground floor.

6.1 Mechanical resistance and stability

The cladding system does not serve a structural purpose for the stability of the building.

6.2 Fire safety in compliance with NBN EN 13501-1

The fire reaction according to Standard NBN EN 13501-1+A1:2010 is for:

- Durasid® Original façade covering in colours 90-94 (panels with a nominal thickness of 7 mm, 167 mm - 333 mm wide and weighing 720 g/m - 1503 g/m) on a substrate (fire reaction class A2) (density $\geq 820 \text{ kg/m}^3$ and thickness $> 9 \text{ mm}$) with or without an air cavity (air cavity $\leq 23 \text{ mm}$, formed by battens (fire reaction class D battens or higher) for any type of fastening, with joints and all directions: class D s3, d2;
- Durasid® Original cladding panel colour 95 (this is all that is needed for panels with a thickness of 6 mm and weighing 700 +/- 100 g/m, with a core coloured in the mass and a coextruded upper layer): class E.

6.3 Health, Safety and Environment

The Plastivan company declares that it complies with the European Directive REACH 1907/2006 on regulated substances.

The product does not release toxic gases, particles or dangerous radiation in the building or environment (air, water, soil).

The relevant product does not affect the health and safety of local residents and their neighbours.

6.4 Frost resistance in compliance with NBN EN 539- 2 and NBN EN 1304

Criterion: frost resistance tested up to -20°C

6.5 Water absorption

Hygic movement: none

Water vapour diffusion resistance value: 0

No increased weight can be observed in damp conditions or after immersion.

6.6 Shock resistance

A 2 m high and 2.06 m wide panel consisting of screwed panels has been subjected to shocks under laboratory conditions ($T=20^\circ\text{C}$, pressure atm. = 996 hPa, RH = 55 %), according to EAD 090062-00-0404.

The cladding system can be assigned to Category III, both for single 167 mm claddings and 333 mm double claddings.

6.7 Wind resistance

A 2 m high and 2.06 m wide panel consisting of screwed panels has been subjected to wind action resistance tests under laboratory conditions ($T=20^\circ\text{C}$, pressure atm. = 996 hPa, RH = 45 %), according to EAD 090062-00-0404.

The results are summarised in Table 13 below.

The application of partial safety factor 2 results in the following maximum construction heights shown in Table 14.

Table 13 – Wind resistance class

Type of profile	Colour code	Rafter spacing	Max. deformation [mm]	Max. depression on the façade when profiles are removed [Pa]
Single 167 mm cladding	95 - 99	300	1/732	2090
	90 - 94	500	1/1437	1180
Double 333 mm cladding	95 - 99	300	1/368	2080
	90 - 94	500	1/1027	900

Table 14 – Maximum construction heights*

	Siding 167 mm		Siding 330 mm	
	300 mm	500 mm	300 mm	500 mm
Class 0 (sea or coastal area exposed to sea wind)	n/a	n/a	n/a	n/a
Class I (area with little vegetation)	n/a	n/a	n/a	n/a
Class II (area with low vegetation)	Up to 10 m	n/a	Up to 10 m	n/a
Class III (area with normal vegetation)	Up to 10 m	Up to 6 m	Up to 10 m	n/a
Class IV (urban area)	Up to 10 m	Up to 10 m	Up to 10 m	Up to 4 m

(*): The maximum installation heights are limited to 10 m, due to the requirements of the Royal Decree on fire reaction classes for external walls:

- Colour 90-94 panels can be fitted to low buildings (self-contained and dormant), industrial buildings and single-family homes.
- Colour 95-99 panels can only be used for industrial buildings and single-family homes.

6.8 Sound insulation

This cladding system does not provide additional sound insulation, unless this can be demonstrated by using:

- Sound insulation;
- A design with sound performances.

6.9 Durability

All components within this cladding system are made from coloured PVC. The colours 90-94 are guaranteed in terms of colour stability for 10 years. The colours 95-99 are guaranteed in terms of colour stability for 5 years.

7 Conditions

- A.** This technical approval refers exclusively to the product mentioned on the cover page of the technical approval.
- B.** Only the approval holder and, if applicable, the distributor may call for the application of this technical approval.
- C.** The approval holder and, if applicable, the distributor are not permitted, in any way, to use the name of the UBAtc, its logo, the ATG mark, the technical approval or the approval number to demand the evaluation of products that fail to comply with the technical approval or products, equipment or systems, including their properties or characteristics, which do not form the object of the technical approval.
- D.** Information provided in any way for (potential) users of the product described in the technical approval (e.g. project owners, contractors, architects, consultants, developers, etc.) by the holder of the approval or the distributor, an approved contractor or their representatives must not be incomplete or contradict the content of the technical approval text or information referred to in the technical approval text.
- E.** The approval holder is bound at all times to provide ubatc, the approval body and the certification body with prompt or prior notification of any adjustments made to primary materials and products, installation instructions and/or the manufacturing, installation and equipment process. According to the information communicated, the UBAtc, the approval body and the certification body will judge whether it is necessary to adjust the technical approval.
- F.** The technical approval is based on the available knowledge and technical/scientific information, together with information provided by the applicant and complemented by an approval inspection, which takes account of the specific nature of the product. However, users remain responsible for selecting the product, equipment or system, as described in the technical approval, for the specific use intended by the user.
- G.** The intellectual property rights associated with the technical approval, including the copyright, belong exclusively to the UBAtc.
- H.** Any references to the technical approval must be accompanied by a technical approval index (ATG 2834) and the validity period.
- I.** The UBAtc, the approval body and the certification body cannot be held responsible for any damage or adverse consequences suffered by third parties (e.g. the user) that result from the failure of the approval holder or distributor to respect the provisions of Article 9.

8 Figures

523333

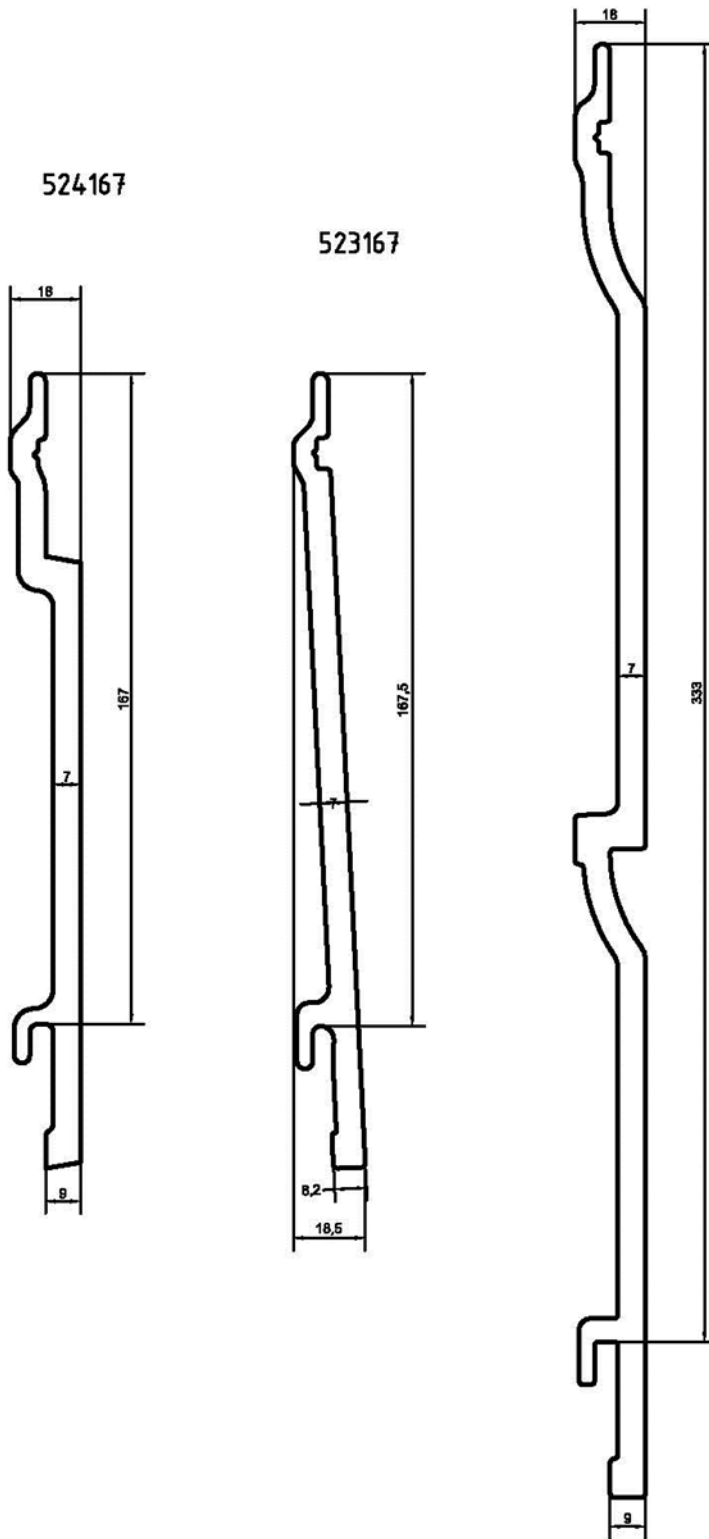


Fig. 1: Cladding panels

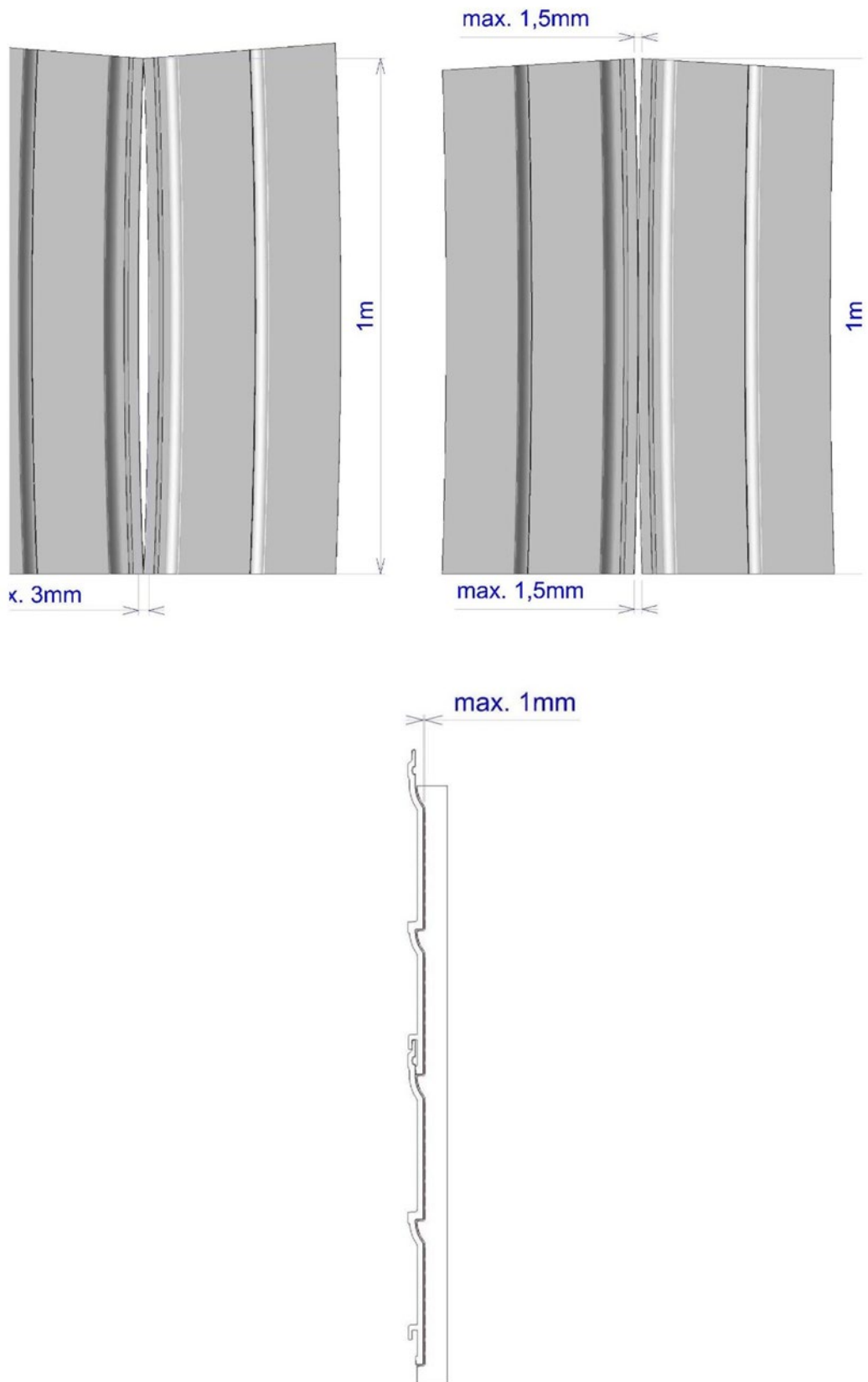


Fig. 2: panel straightness control

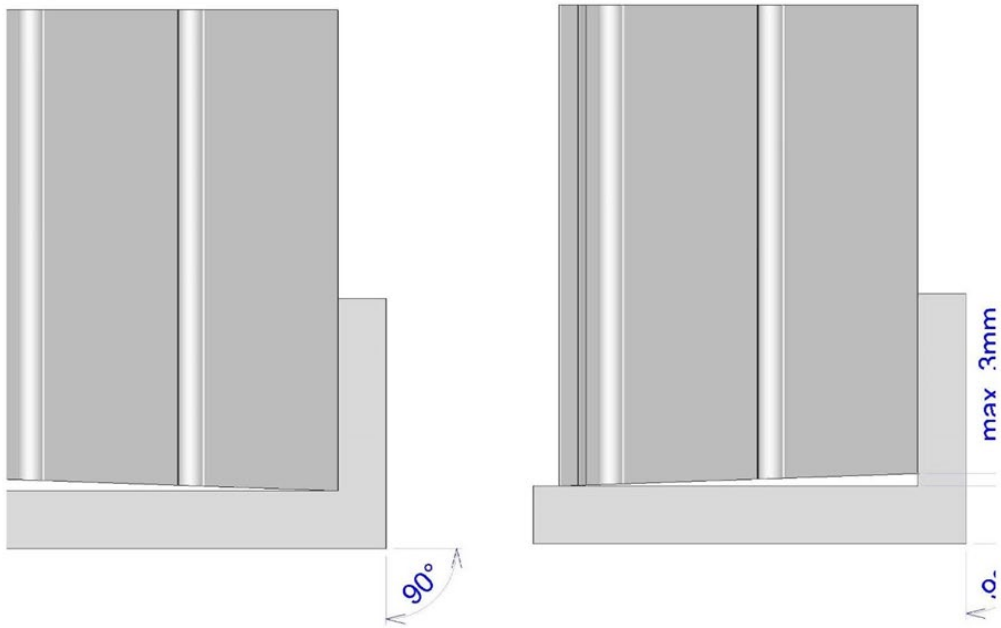


Fig. 3: Saw cut squareness control

<p>524150</p>	<p>524200</p>	<p>524300</p>
<p>524450</p>	<p>524500</p>	<p>524250</p>

Fig. 4: Plastic finish profiles

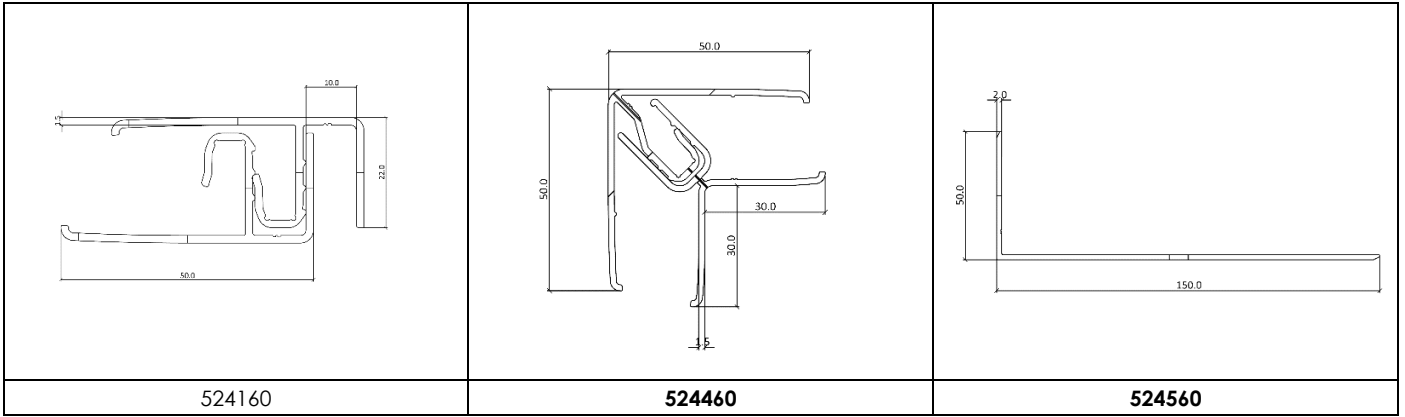


Fig. 5: aluminium finish profiles

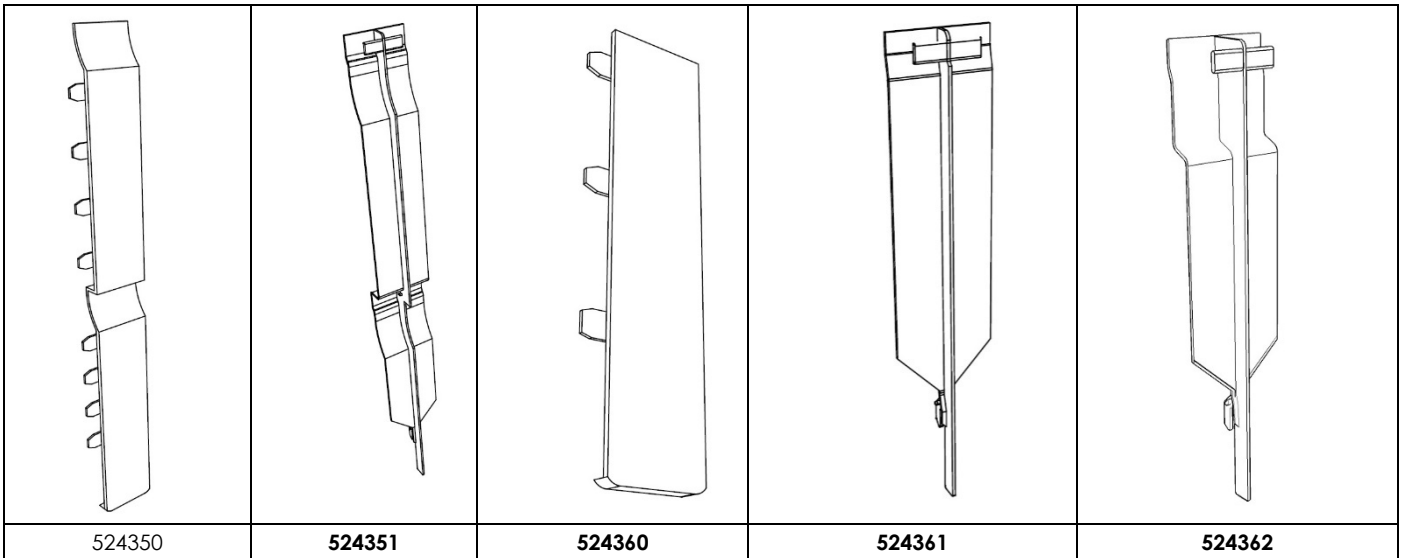


Fig. 6: Injected components



Fig. 7: Different edge finishes

This technical approval has been published by UBAtc, under the responsibility of the approval body , BCCA, and based on favourable feedback from the specialist "FAÇADES" group, issued on 26 June 2015.

In addition, the BCCA certification body has confirmed that the production process meets the conditions for certification and that a certification agreement was signed by the approval holder.

Date of issue: 18 october 2023.

This ATG replaces ATG 2834 from 24/06/2022 until 23/06/2027 (extended). The modifications compared with previous version are listed below.

Modifications compared with previous version:

- Change of address BCCA
- Clarify title table 7 & 8 + delete colours 96-99
- Adjust bulk density foam in table 10
- Correctly set unit of density in table 13

For UBAtc, declaration of the validity of the approval process

For the approval and certification body



Eric Winnepenninckx,
Secretary general



Benny De Blaere,
Director



Olivier Delbrouck,
Managing director

This Technical Approval shall remain valid, provided the system, its manufacture and all processes that are appropriate for this purpose:

- are maintained, in order to achieve, as a minimum, the test results defined in the approval document;
- are continuously monitored by the certification body, which confirms that the certification continues to be valid;

If these conditions are no longer met, the Technical Approval shall be suspended or withdrawn and the approval document shall be deleted from the UBAtc website. The technical approvals are regularly updated. It is recommended that you always use the version published on the UBAtc website (www.butgb-ubatc.be).

The most recent version of the technical approval can be consulted using this QR code.



UBAtc asbl has been notified by the FPS Economy within the framework of Regulation (EU) 305/2011. Certification bodies designated by UBAtc asbl operate in compliance with a system that is set to be accredited by BELAC (www.belac.be).

UBAtc asbl is an accredited body and member of:



European Organisation for Technical Assessment

www.eota.eu



European Union for technical approval
In construction

www.ueatc.eu



World Federation of Technical Assessment
Organisations

www.wftao.com